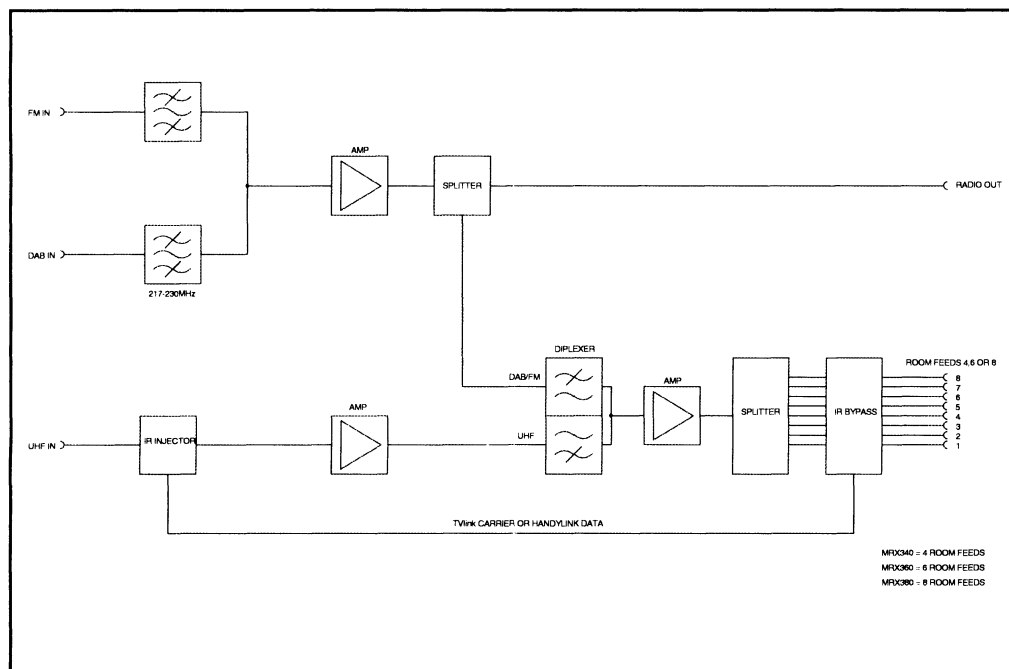


## NOTES

- **Earth Bonding**  
For professional installers wishing to comply with BS EN 50083-1 there is provision for protective earth bonding with a 6mm<sup>2</sup> capacity earth terminal.
- Ensure CCTV/VCR & the set top box modulators are tuned at least 2 channels away from any off air signals: also avoid all N±5 combinations.
- All outlet plates must be of the non-isolated type for IR compatibility.

## Block Diagram



Labgear Limited,  
Unit 7,  
Angel Drove,  
Ely, CB7 4DT.  
e-mail: [sales@labgear.co.uk](mailto:sales@labgear.co.uk)  
<http://www.labgear.co.uk/>

Telephone: 01353 644800.  
Fax: 01353 644930.



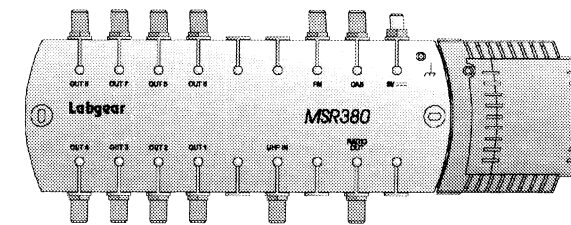
# Labgear

## MSR340

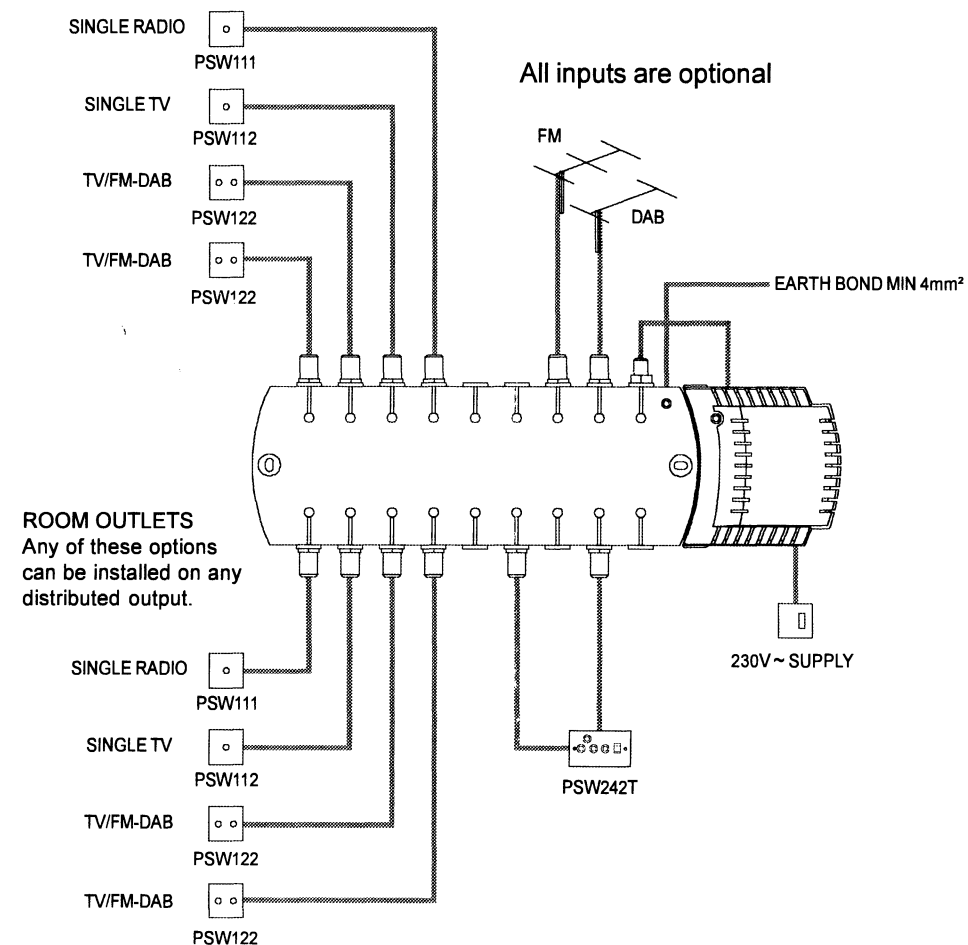
## MSR360

## MSR380

### Distribution Amplifiers



## Installation Wiring Diagram\*



\*MSR380 shown has 8 outputs, MSR360 has 6 outputs and MSR340 has 4 outputs.  
**NOTE:** Uplink and distributed room outlet plates must be non-isolated for IR compatibility.

